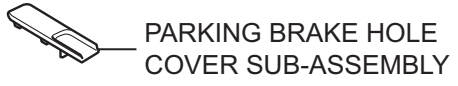
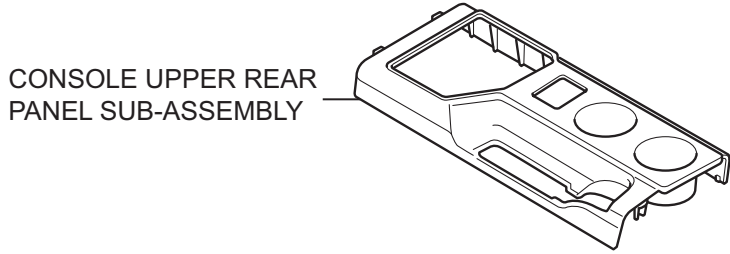
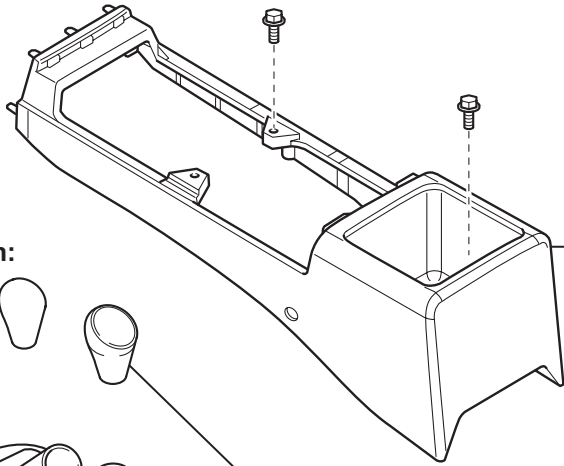


MANUAL TRANSMISSION ASSEMBLY

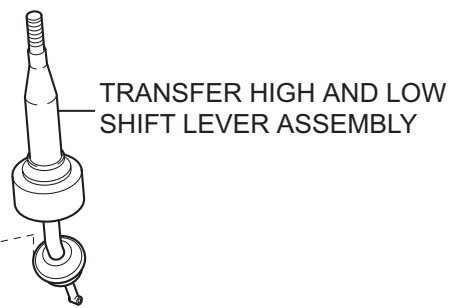
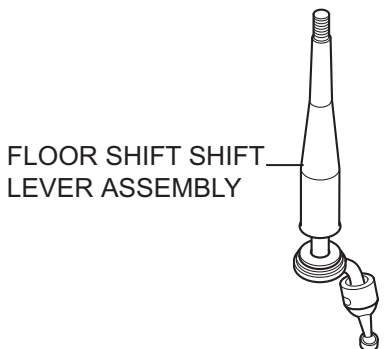
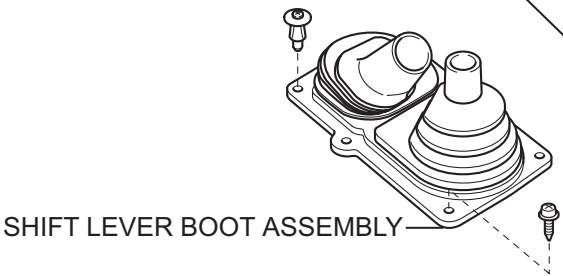
COMPONENTS



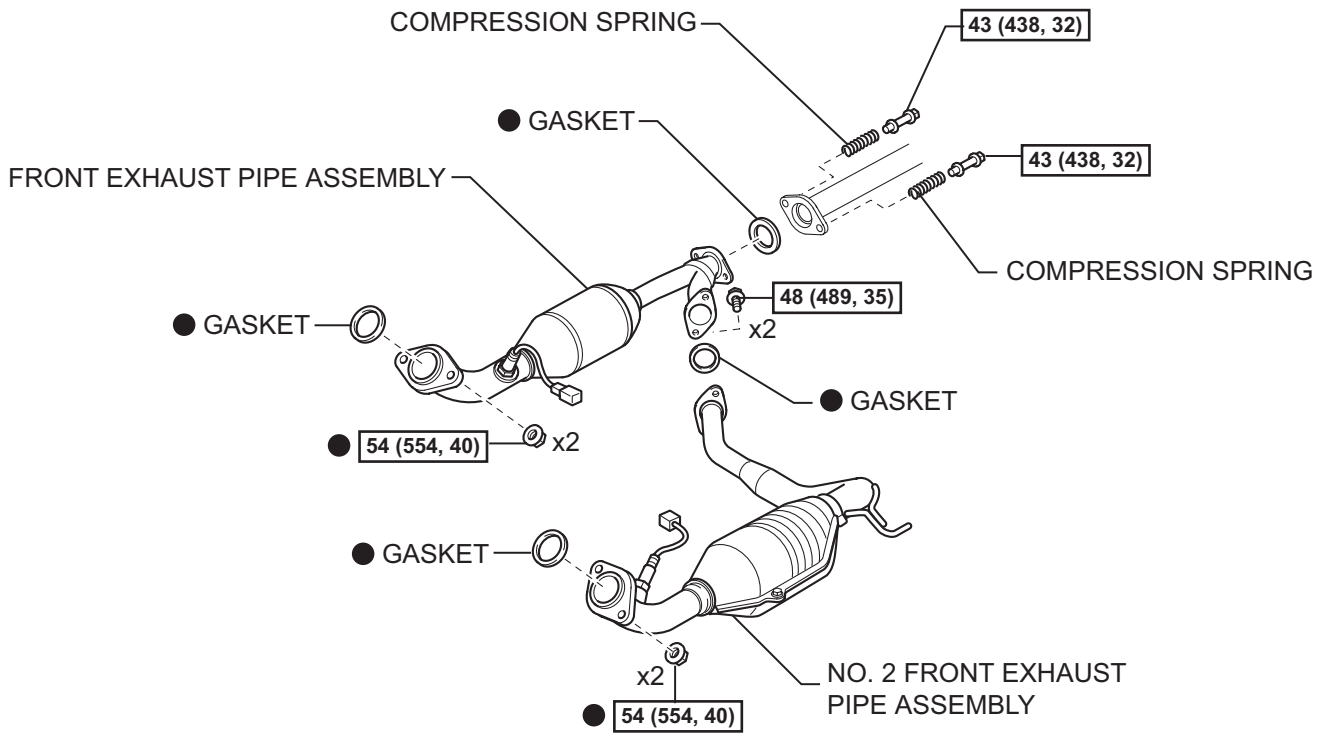
for Manual Transmission:
SHIFT LEVER KNOB
SUB-ASSEMBLY



for Transfer:
SHIFT LEVER KNOB SUB-ASSEMBLY



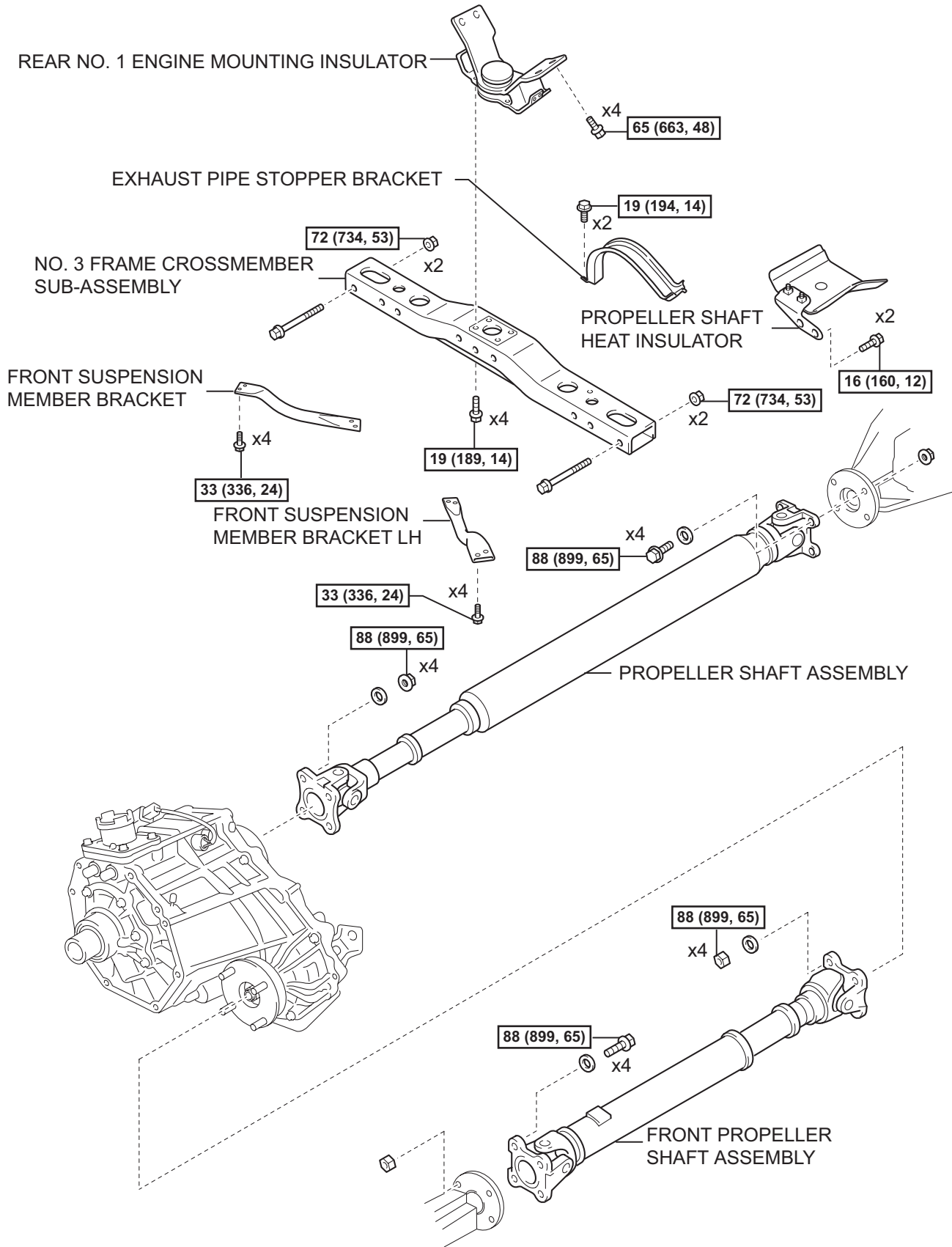
MT



$\boxed{N*m (kgf*cm, ft*lb)}$:Specified torque

● Non-reusable part

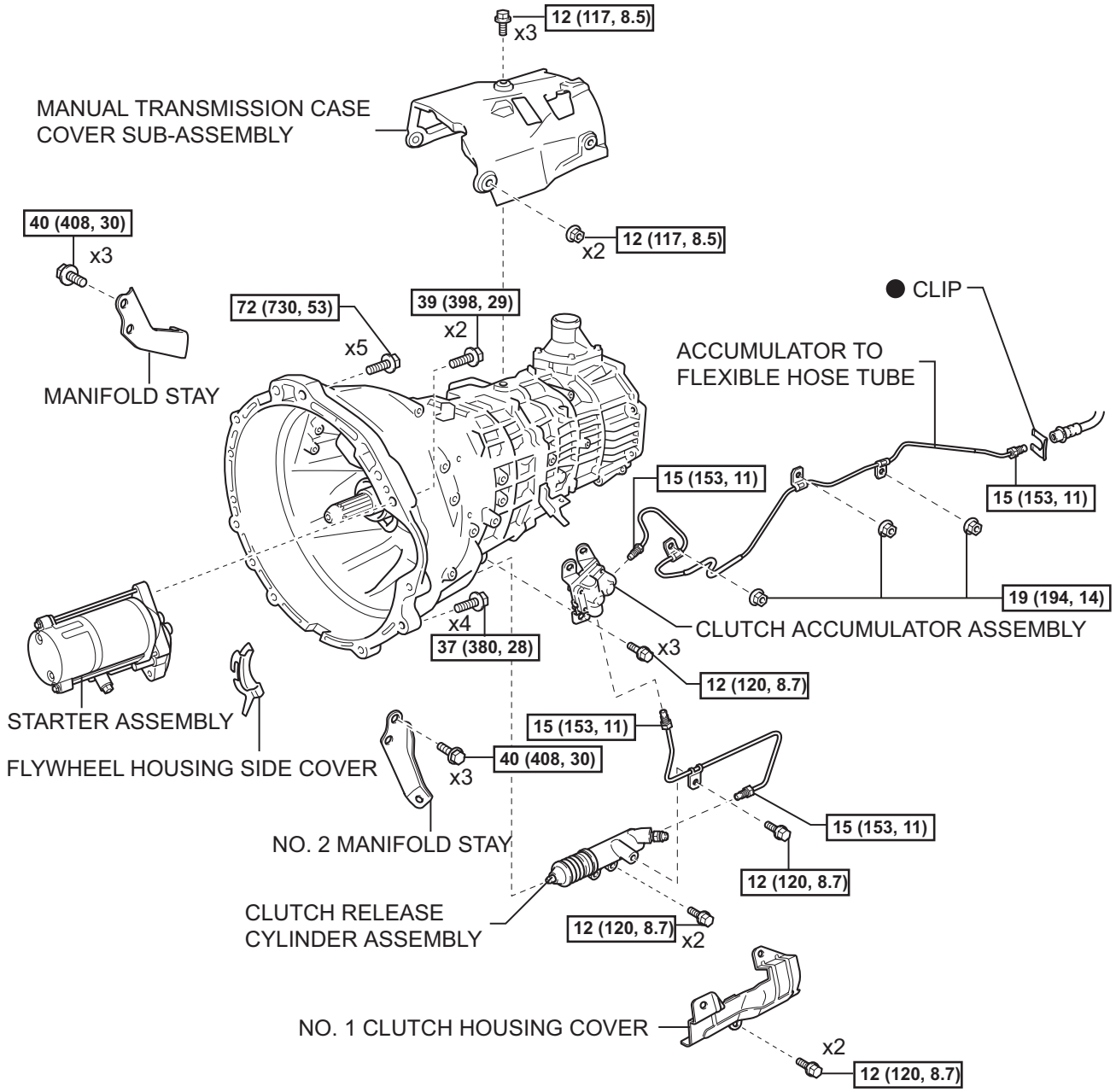
Y



N*m (kgf*cm, ft*lbf) : Specified torque

MT

Y

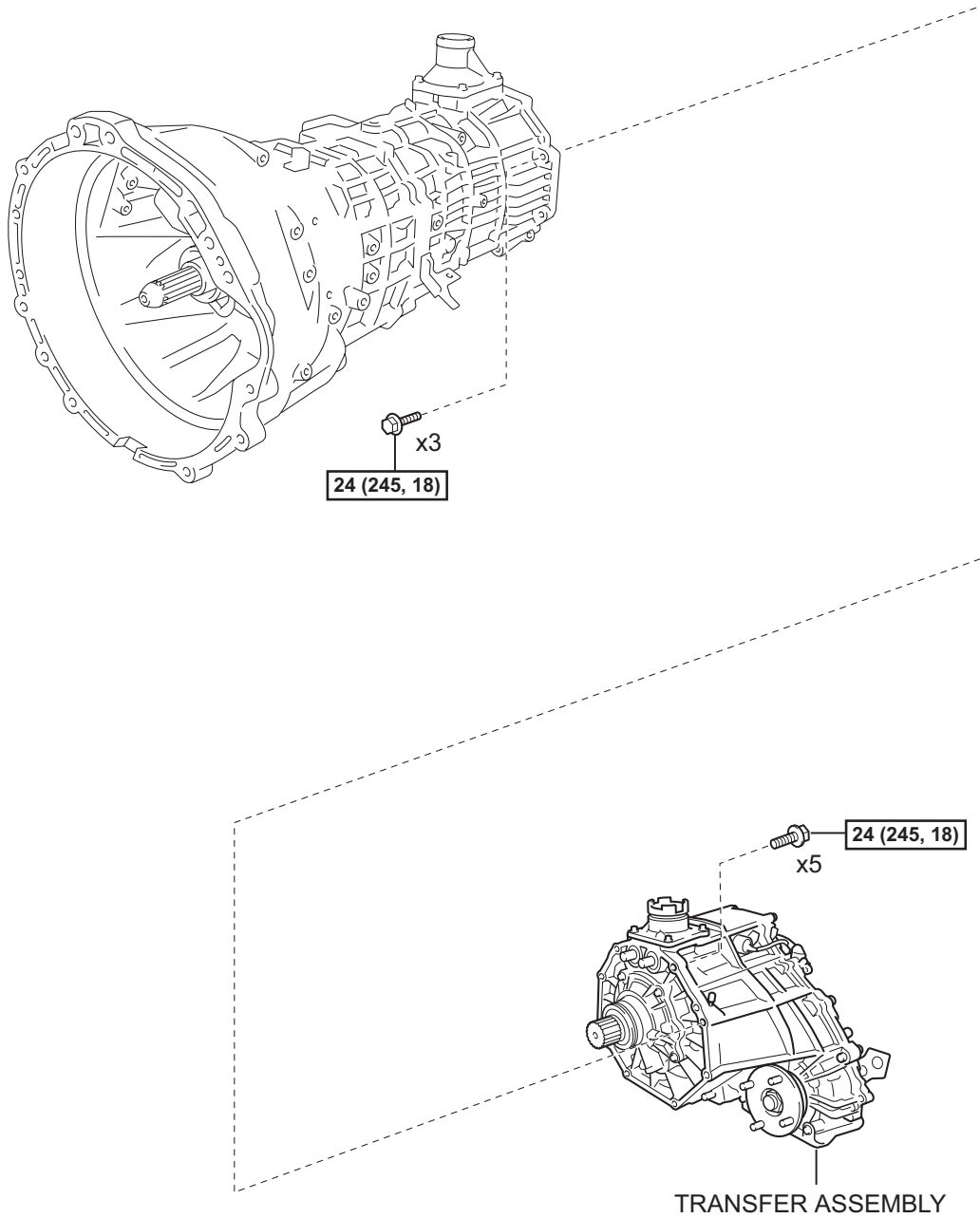


MT

N*m (kgf*cm, ft*lb) :Specified torque

● Non-reusable part

Y



N*m (kgf*cm, ft*lbf) :Specified torque

MT